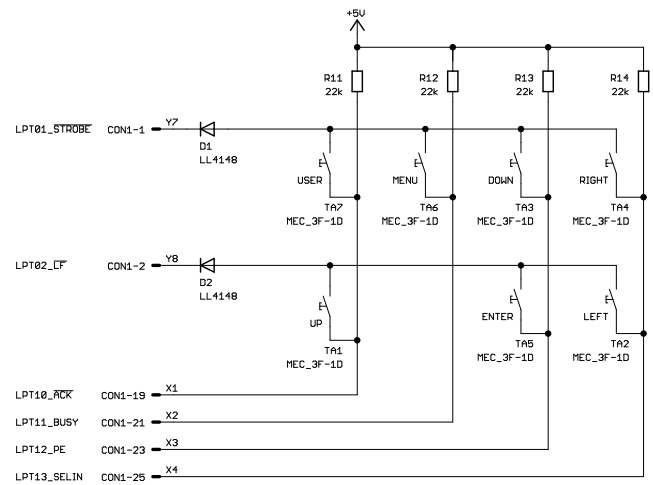
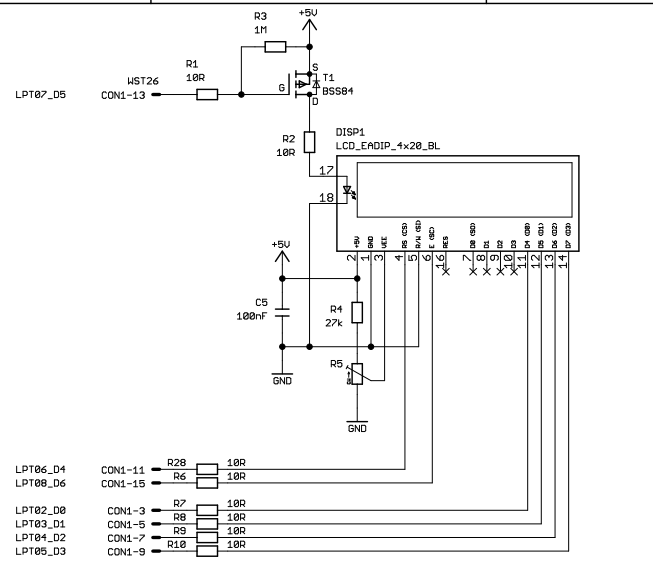


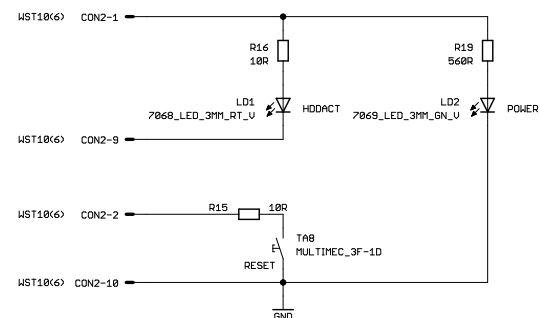
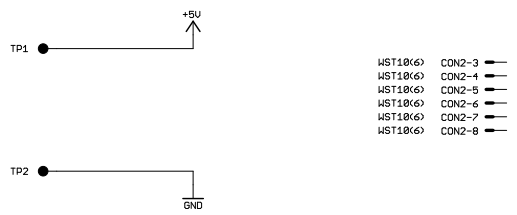
1 2 3 4 5 6

A  
B  
C  
D

A  
B  
C  
D



- LPT15\_ERROR CON1-4 —X
- LPT16\_RESET CON1-6 —X
- LPT17\_SELECT CON1-8 —X
- LPT09\_D7 CON1-17 —X
- NC CON1-26 —X
- LPT18\_GND CON1-10 —
- LPT19\_GND CON1-12 —
- LPT20\_GND CON1-14 —
- LPT21\_GND CON1-16 —
- LPT22\_GND CON1-18 —
- LPT23\_GND CON1-20 —
- LPT24\_GND CON1-22 —
- LPT25\_GND CON1-24 —



18.11.09	tg	-	LCDproc_LPT_1U0	
Date	Editor	Checked	Chg. No.	23.11.2009 18:12:16
		Date	Name	SCHEMATIC
	Created	18.11.09	tg	
	Checked	18.11.09	-	
	Standard			
PRODUCT: LCDproc-fähiges LCD mit 7 Tasten				
UNIT: -				
BLOCK: -				
PCB No.-INDEX: INDEX			DOC NAME: -	
Substitute for			VERSION No.: 1U0	
				Page 1/1

1 2 3 4 5 6